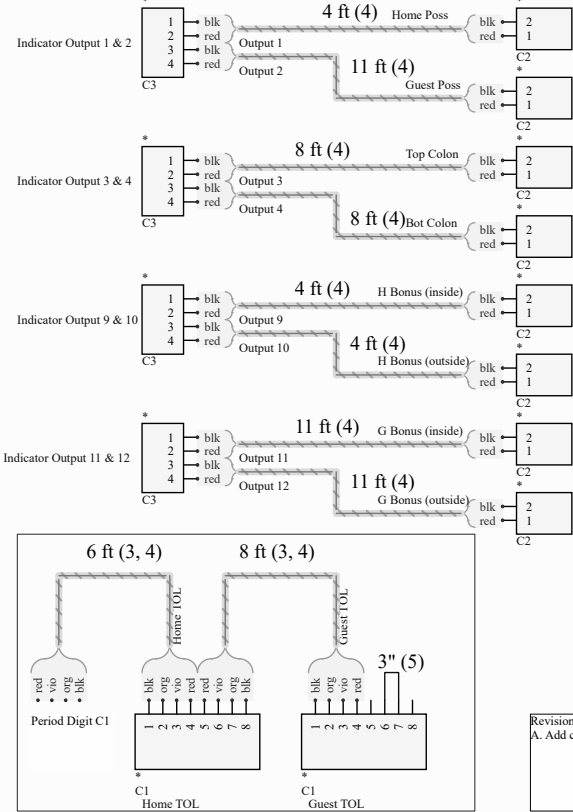
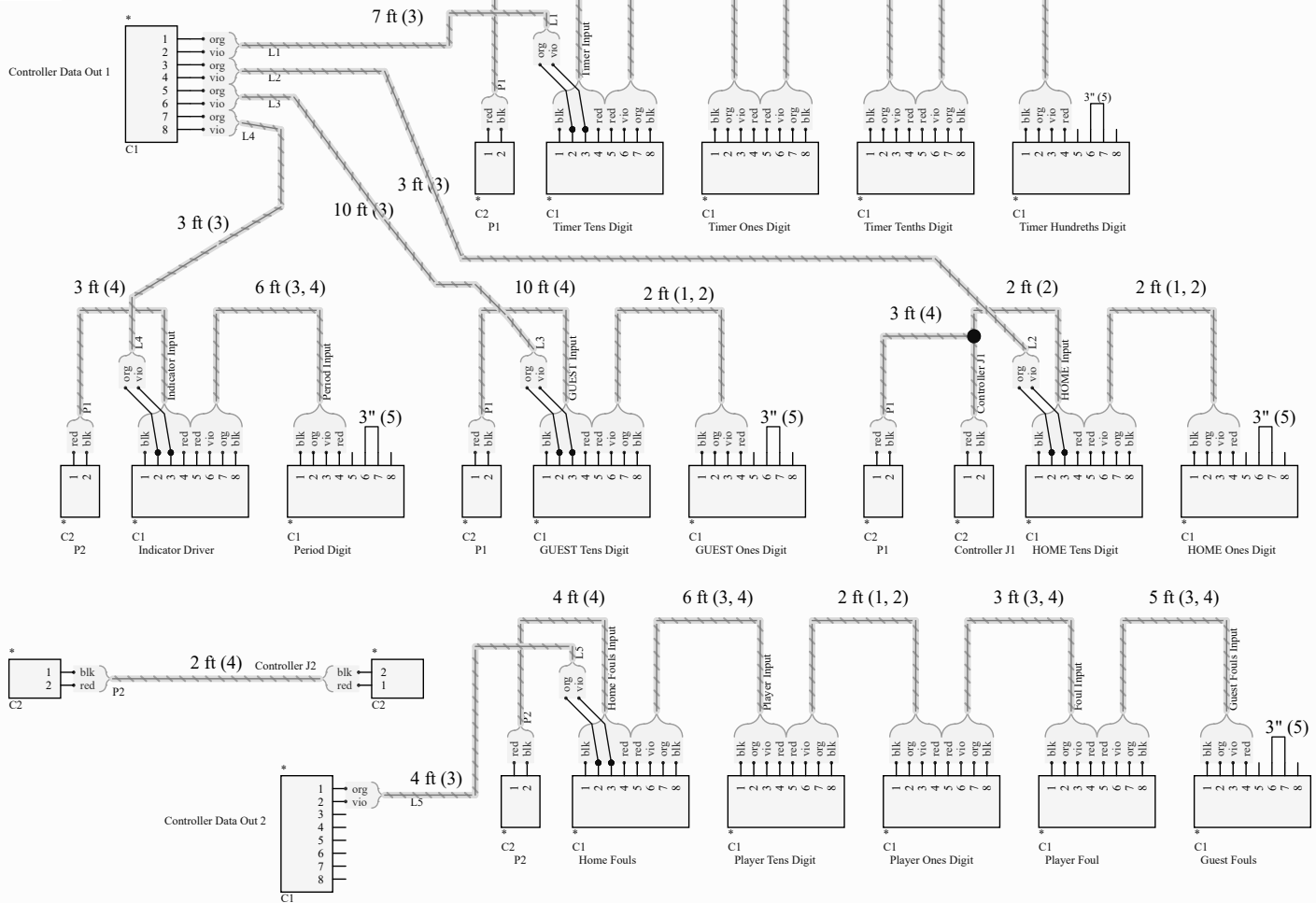


QTY	Ref	Item Number	Description
12'	1	025-00046	WIRE,PVC 18AWG 300V TWSTD,O/P
14'	2	025-00099	WIRE,PVC 18AWG 300V TWSTD,
57'	3	025-00057	WIRE,TWSTD,18AWG,O/V BLKJACKET
124'	4	WI00134P	CABLE,18/2 R/B GRY JKT 105C
19	C1	030-00109	Plug, 8PIN, 5,08mm,BLK/ORG
16	C2	030-00104	Plug, 2PIN, 2,08mm,BLK/ORG
4	C3	030-00107	Plug, 4PIN, 5,08mm, BLK/ORG
1	P1	062-00189	PWRSPLY,24V,96V
1	P2	062-00189	PWRSPLY,24V,96V
1.25'	5	800118	WIRE,PVC 18AWG 300VSTR VIOLET
184	-	030-00112	BULK,FERRULE,.75/14MM WHT
2	-	030-00113	TWIN,FERRULE,.75/19MM WHT

Cable specification [length (cable reference)]



Controller Data Out 1



Revision Control  
A. Add cross over power cable for second power supply

- Instructions
1. Cut the cable (refer to the reference number) to length. Label each end.
  2. Crimp ferrule, 030-00112 to the ends of each cable wire.
  3. Crimp ferrule, 030-00113 to specified wires
  4. Insert wire into connectors (C1, C2, C3) according to pinout.

Title BK9102 Harnesses

**ALL AMERICAN**  
SCOREBOARDS